

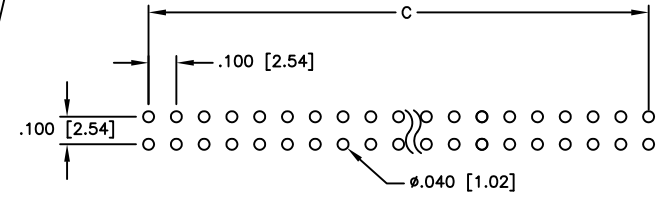
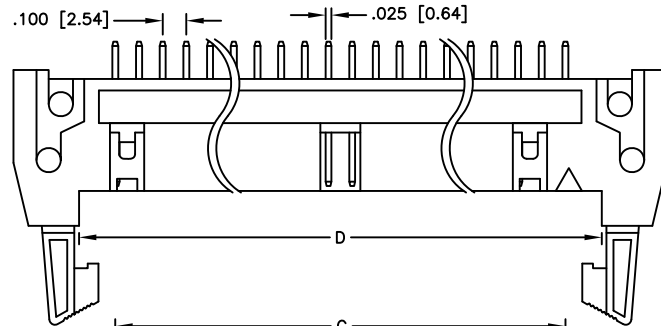
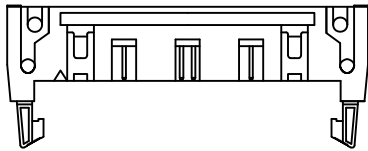
APPROVED: _____
 DATE: _____ TITLE: _____

| Rev | AWO # | Description | Date | Appr |
|-----|-------|---------------|----------|--------|
| - | | RELEASED | 3/25/10 | |
| A | | ADDED DRAWING | 12/25/18 | AY/RC1 |

D

D

60, 64 PIN

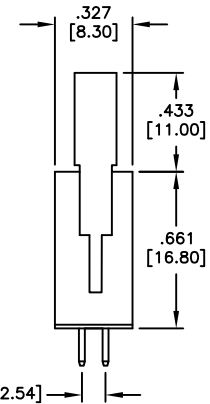
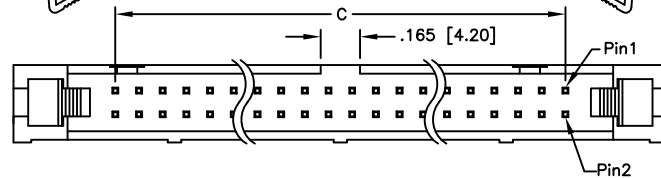
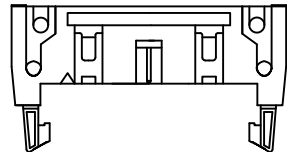


RECOMMENDED PCB LAYOUT

C

C

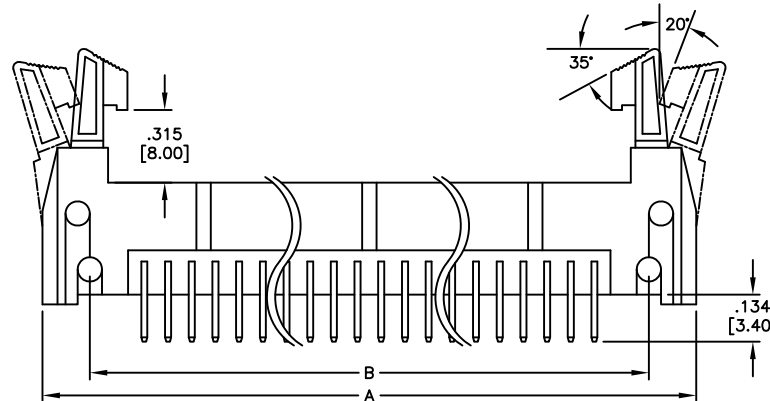
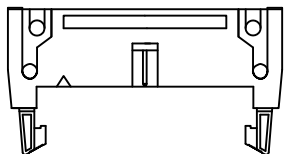
20, 24, 26, 30, 34, 40, 50 PIN



B

B

10, 14, 16 PIN



Positions: 10, 14, 16, 20, 24, 26, 30, 34, 40, 50, 60, 64
 A = .100 [2.54] x No. of Spaces + .855 [21.71]
 B = .100 [2.54] x No. of Spaces + .454 [11.54]
 C = .100 [2.54] x No. of Spaces
 D = .100 [2.54] x No. of Spaces + .305 [7.74]

SPECIFICATIONS:

Material:
 Insulator: PBT, glass reinforced, rated UL 94V-0, Color: Black
 Contacts: Brass
 Plating:
 Gold flash over Nickel underplate overall
 Electrical:
 Current rating: 1 Amp
 Contact Resistance: 10 mohm max
 Insulation resistance: 1000 Mohm min
 Dielectric withstanding voltage: 500 VAC for 1 minute
 Temperature Rating:
 Operating temperature: -55°C to +105°C
 Environmental:
 Lead free, RoHS compliant.



UNLESS OTHERWISE SPECIFIED
 ALL DIMENSIONS ARE MM [INCHES]
 TOLERANCES: EXCEPT AS NOTED
 INCHES HOLES
 .X ± .10 Ø.X ± .10
 .XX ± .020 Ø.XX ± .015
 .XXX ± .015 Ø.XXX ± .010

ADAM TECH

909 Rahway Avenue, Union, NJ 07083
 Phone: 908-687-5000 Fax: 908-687-5710

TITLE
**LATCH BOX HEADER, VERTICAL TYPE
 LONG EJECTOR LATCHES**

| APPROVALS | | DATE |
|-----------|----|---------|
| DRAWN | DY | 3/25/10 |
| CHECKED | | |
| APPROVED | | |

| SIZE | PART NO. | REV.P |
|--------------|-------------|--------------|
| X | MHR-XX-VUAL | A |
| REF: S00059T | | SCALE: NTS |
| | | SHEET 1 OF 1 |

6

5

4

3

2

1